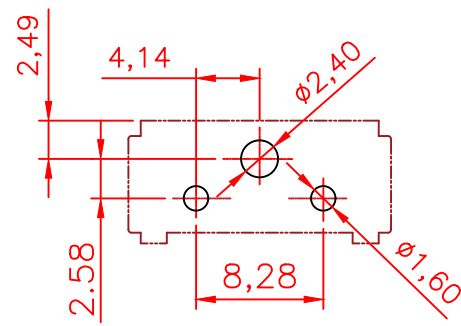
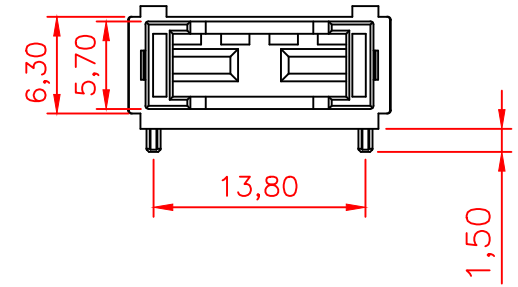
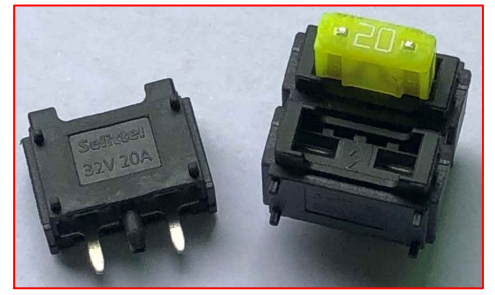
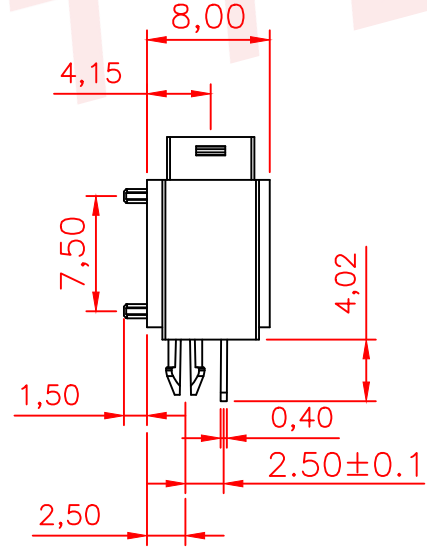
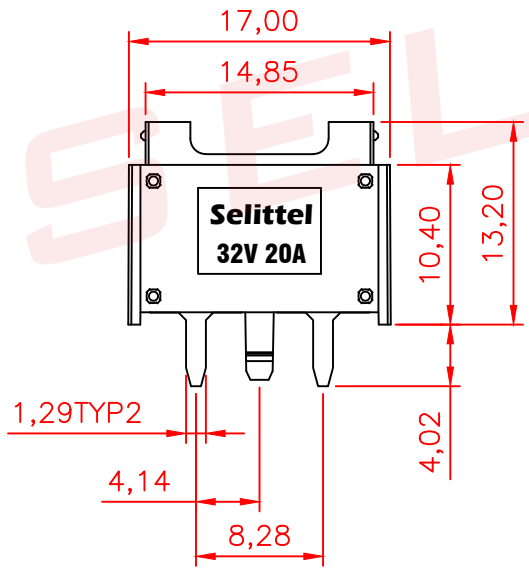


ALL INFORMATION CONTAINED OR DISCLOSED BY THIS DOCUMENT IS CONSIDERED CONFIDENTIAL AND PROPRIETARY BY SELLI ELECTRONICS CO.,LTD. ALL DESIGN, MANUFACTURING, USE, REPRODUCTION, AND ALL SALES RIGHTS, ARE EXPRESSLY RESERVED BY AND TO SELLI ELECTRONICS CO.,LTD. AND COMMUNICATION OF THIS INFORMATION TO OTHERS IS PROHIBITED WITHOUT THE PRIOR WRITTEN CONSENT OF SELLI

DRAWING REVISIONS				
REV	S/N	DESCRIPTION	APPROVED	DATE
A	20200210-09	ORIGINAL RELEASE		




RECOMMENDED P. C. B LAYOUT (MOUNTING SIDE)



NOTES: UNLESS OTHERWISE SPECIFIED.

1. Applicable: For MINI blade fuse.
2. Electrical: Rated for current up to 20A32VAC
3. Insulating Base body: PA +30%GP
Contact: Brass with Tin plated

 东莞市赛力特保险丝制造有限公司 DONGGUAN SELITTEL FUSES MFG CO., LTD		PCB Mount Fuseholder FOR MINI AUTO FUSE		CUSTOMER	
RoHS COMPLIANT		UNLESS OTHERWISE STATED			
WALL THICKNESS		MM			
LINEAR .XX		±0.15			
LINEAR .XXX		±0.05			
ANGULAR		±0.5 DEG			
DRAFT ANGLE/SIDE		0.5 °MAX		DFTS Tom 12-22-08	
BURR & FLASH		0.10 MAX		SCALE free	
BREAK CORNERS		0.20 R.MAX		SHEET 1 OF 1	
PARTING LINE MISMATCH		0.05 MAX		PART NO.	
				REV	
				SL-1533	
				A	