



承 认 书

SPECIFICATION FOR APPROVAL

客户名称
Customer Name

客户料号
Customer Material No.

产品名称
Product Name 小号插片式二极管 / MIN Blade Type Diode

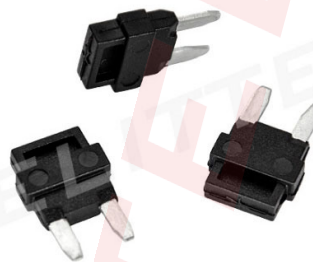
产品型号
Product Model MIN-D

送样日期
Sample Submission Date

本司确认 (COMPANY APPROVAL)			
检验 Inspection	校对 Proofreading	批准 Approval	签章 Signature & Seal
黄壁昌	邱曜东	Tommy	
客户确认 (CUSTOMER APPROVAL)			
检验 Inspection	校对 Proofreading	批准 Approval	签章 Signature & Seal
确认结果 Verify the results: <input type="checkbox"/> 合格 Qualified <input type="checkbox"/> 不合格 Unqualified <input type="checkbox"/> 其他 Other			



MIN-D Blade Type Diode SPECIFICATION



Hongkong Selittel Electronic Co., Limited

香港赛力特电子有限公司

Dongguan Selittel Fuses MFG. Co., Ltd

东莞市赛力特保险丝制造有限公司

Add: Jinyinling industrial park, Hengkeng, Liaobu town, Dongguan, Guangdong

Tel: +86 0769-83218762, 22498696, 23067981

Fax: +86 0769-22602343

Email: sales@sellifuse.com

Web: <https://www.selittel.com>

<http://www.sellifuse.com>



一， 产品用途 / Product Application

MIN-D 插片式二极管适用于汽车及各类低压电气系统中的继电器、电机及感性负载回路，可用于抑制反向电动势、电压尖峰及电磁干扰，从而保护 ECU 及其它电子元件，提升电路系统的稳定性与可靠性。广泛应用于轿车、SUV、卡车、工程机械、船舶、摩托车及电动车等设备的电路系统。

本产品采用小号插片式结构设计，可直接安装于标准汽车保险盒及插座中，便于快速安装与更换。

MIN-D Blade Type Diodes are designed for relay circuits, motors, and inductive load circuits in automotive and low-voltage electrical systems. They are used to suppress back EMF, voltage spikes, and electromagnetic interference, helping protect ECUs and other electronic components while improving overall circuit stability and reliability. They are widely used in the electrical systems of passenger cars, SUVs, trucks, construction machinery, marine vessels, motorcycles, and electric vehicles.

Featuring a MIN blade-type design, the product can be directly installed into standard automotive fuse boxes and sockets for quick and convenient installation and replacement.

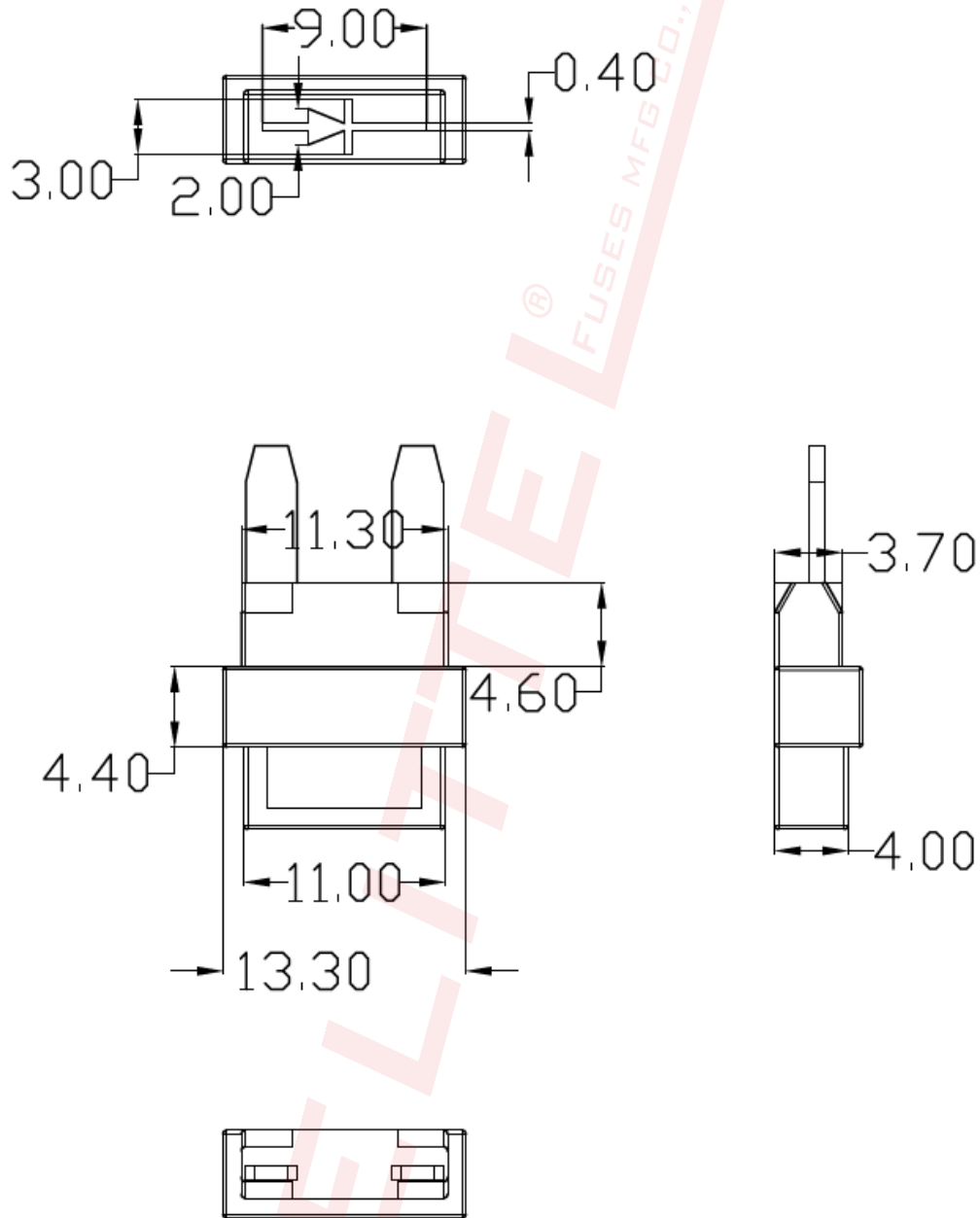


二， 产品特性 / Product Features

1. 额定电流 Current Rating: 1A
2. 额定电压 Voltage Rating: \leq 400VDC
3. 最大连续峰值反向电压 Max. Repetitive Peak Reverse Voltage: 1000VDC
4. 最大直流阻断电压 Max. DC Blocking Voltage: 1000V
5. 额定功率 Rated Power: Max. Power Dissipation 1/2 W
6. 最大浪涌电流 Max. Surge Current: 30A
7. 工作温度 Operating Temperature Range: -40°C to $+85^{\circ}\text{C}$
8. 壳体材料 Housing Material: PVC
9. 接线端子 Terminal: 锌合金 / Zinc Alloy



三，产品尺寸图 / Dimensional Drawing



注：尺寸单位：mm，误差±0.3mm