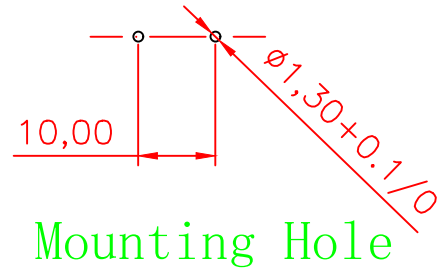
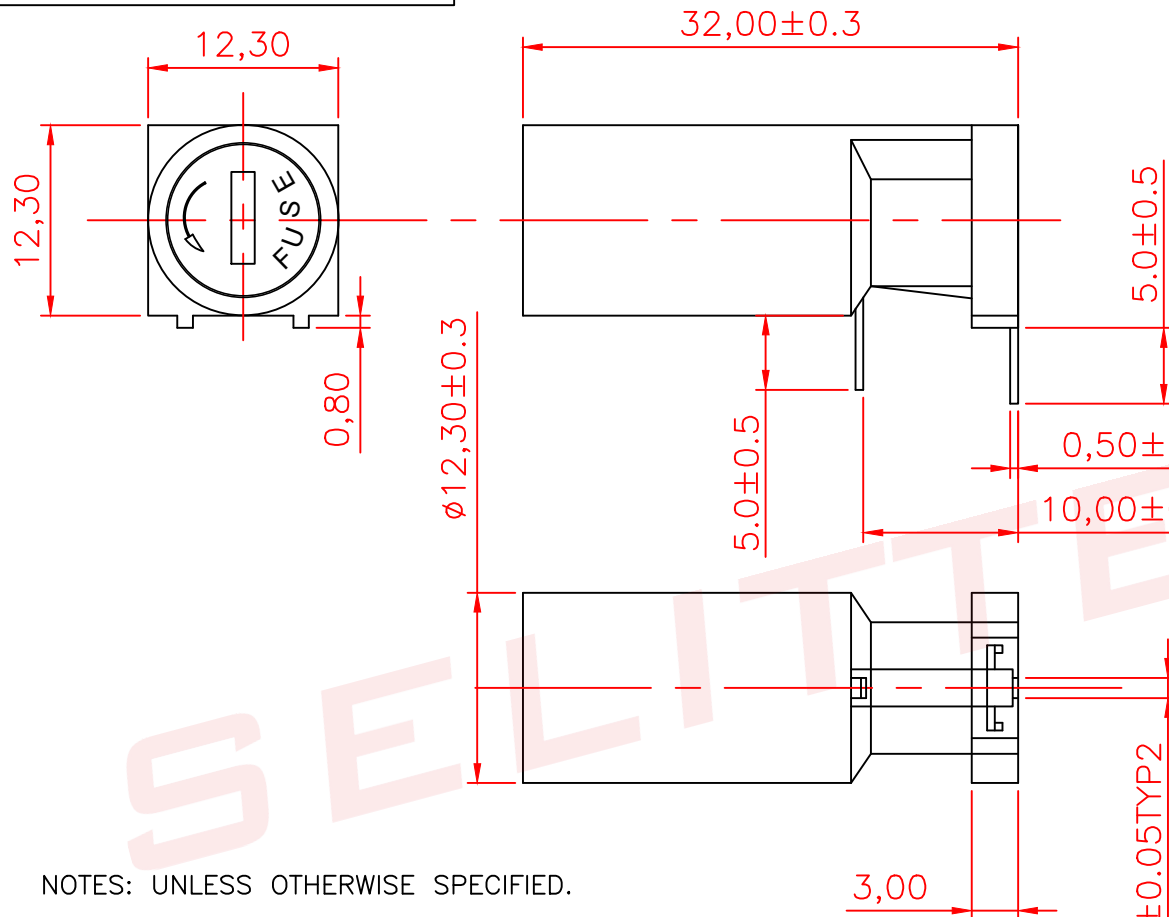



ALL INFORMATION CONTAINED OR DISCLOSED BY THIS DOCUMENT IS CONSIDERED CONFIDENTIAL AND PROPRIETARY BY SELLI ELECTRONICS CO.LTD. ALL DESIGN, MANUFACTURING, USE, REPRODUCTION, AND ALL SALES RIGHTS, ARE EXPRESSLY RESERVED BY AND TO SELLI ELECTRONICS CO.LTD. AND COMMUNICATION OF THIS INFORMATION TO OTHERS IS PROHIBITED WITHOUT THE PRIOR WRITTEN CONSENT OF SELLI

DRAWING REVISIONS				
REV	S/N	DESCRIPTION	APPROVED	DATE
A	2016062120	ORIGINAL RELEASE		



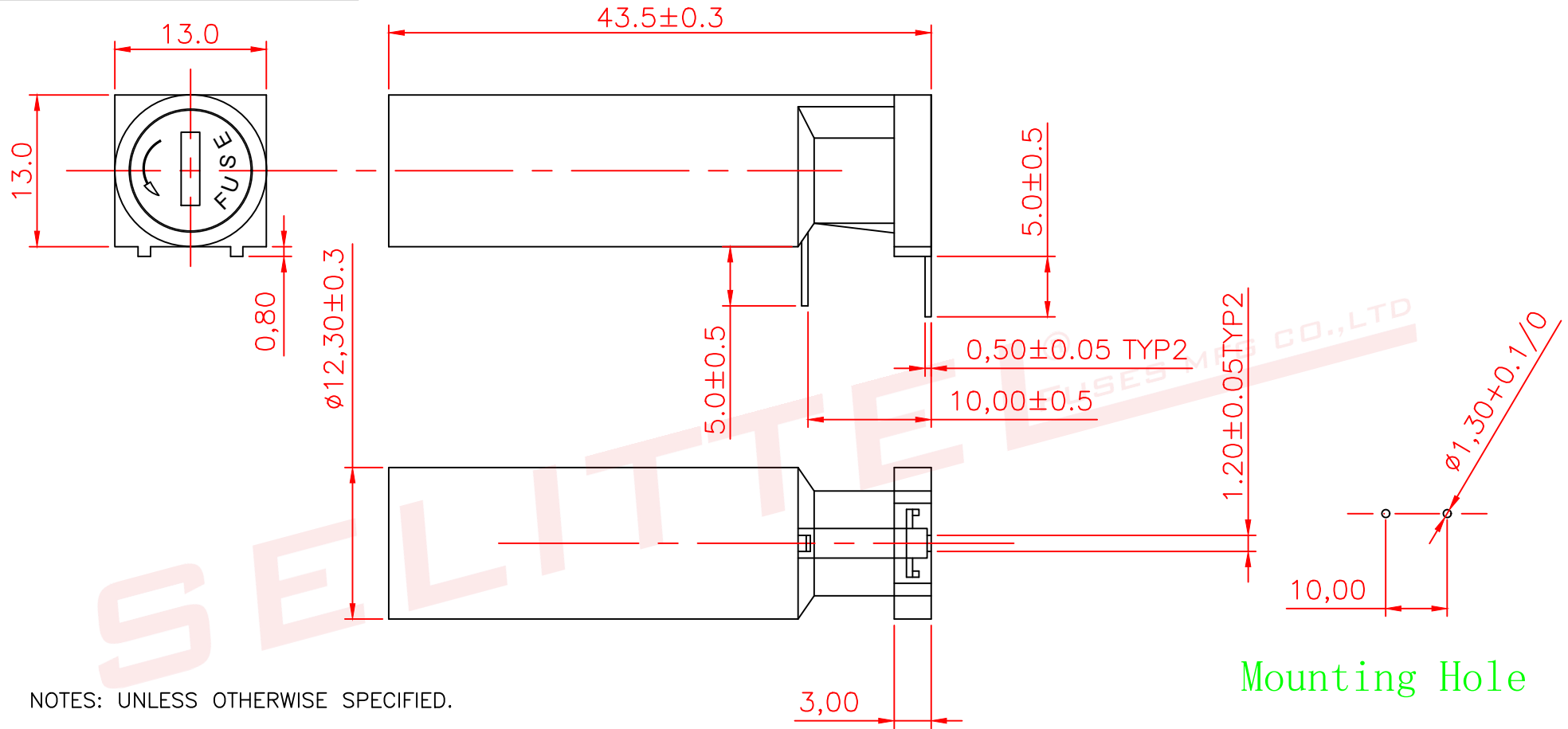
NOTES: UNLESS OTHERWISE SPECIFIED.

1. Applicable: For 5x20mm Fuse.
2. Electrical: Rated for current up to 10A250VAC;
3. Insulating Base body: PBT; Cap: PBT
4. Bayonet type cap; PC Board mount terminal;
5. Terminals: Brass with Tin-plated solderable type.
6. UL VDE CQC CE;

		东莞市赛力特保险丝制造有限公司 DONGGUAN SELITTEL FUSES MFG CO., LTD		
RoHS COMPLIANT		PCB Mount Fuseholder		CUSTOMER
UNLESS OTHERWISE STATED		FOR 5x20mm fuse		
WALL THICKNESS	MM			
LINEAR	.XX ±0.15 MM			
	.XXX ±0.05 MM			
ANGULAR	±0.5 DEG	DSGN	Tom	12-22-08
DRAFT ANGLE/SIDE	0.5 °MAX	DFTS	TOM	12-22-08
BURR & FLASH	0.10 MAX	SCALE	free	
BREAK CORNERS	0.20 R.MAX	SHEET	1 OF 1	
PARTING LINE MISMATCH	0.05 MAX	CHKD		
		APPD		
		PART NO.		REV
		H3-56B		A

ALL INFORMATION CONTAINED OR DISCLOSED BY THIS DOCUMENT IS CONSIDERED CONFIDENTIAL AND PROPRIETARY BY SELLI ELECTRONICS CO.,LTD. ALL DESIGN, MANUFACTURING, USE, REPRODUCTION, AND ALL SALES RIGHTS, ARE EXPRESSLY RESERVED BY AND TO SELLI ELECTRONICS CO.,LTD. AND COMMUNICATION OF THIS INFORMATION TO OTHERS IS PROHIBITED WITHOUT THE PRIOR WRITTEN CONSENT OF SELLI

DRAWING REVISIONS				
REV	S/N	DESCRIPTION	APPROVED	DATE
A	2016062120	ORIGINAL RELEASE		



NOTES: UNLESS OTHERWISE SPECIFIED.

1. Applicable: For 6X30mm Fuse.
2. Electrical: Rated for current up to 16A250VAC;
3. Insulating Base body: PBT; Cap: PBT
4. Bayonet type cap; PC Board mount terminal;
5. Terminals: Brass with Tin-plated solderable type.
6. UL VDE CQC CE;



东莞市赛力特保险丝制造有限公司  
DONGGUAN SELITTEL FUSES MFG CO., LTD

ROHS COMPLIANT		PCB Mount Fuseholder		CUSTOMER	
UNLESS OTHERWISE STATED		FOR 5x20mm fuse			
WALL THICKNESS	MM				
LINEAR	.XX ±0.15 MM				
	.XXX ±0.05 MM				
ANGULAR	±0.5 DEG	DSGN	Tom	12-22-08	SCALE free
DRAFT ANGLE/SIDE	0.5 °MAX	DFTS	TOM	12-22-08	SHEET 1 OF 1
BURR & FLASH	0.10 MAX	CHKD			PART NO. H3-60B
BREAK CORNERS	0.20 R.MAX	APPD			
PARTING LINE MISMATCH	0.05 MAX				