



承 认 书

SPECIFICATION FOR APPROVAL

客户名称
Customer Name

客户料号
Customer Material No.

产品名称
Product Name 小号叉栓保险丝 / Bolt-on Fuses

产品型号
Product Model ANS-S-CU-N (N=030-200)

送样日期
Sample Submission Date

本司确认 (COMPANY APPROVAL)			
检验 Inspection	校对 Proofreading	批准 Approval	签章 Signature & Seal
黄壁昌	邱曜东	Tommy	
客户确认 (CUSTOMER APPROVAL)			
检验 Inspection	校对 Proofreading	批准 Approval	签章 Signature & Seal
确认结果 Verify the results: <input type="checkbox"/> 合格 Qualified <input type="checkbox"/> 不合格 Unqualified <input type="checkbox"/> 其他 Other			



ANS-S-CU Bolt-on-Fuses

SPECIFICATION



Hongkong Selittel Electronic Co., Limited

香港赛力特电子有限公司

Dongguan Selittel Fuses MFG. Co., Ltd

东莞市赛力特保险丝制造有限公司

Add: Jinyinling industrial park, Hengkeng, Liaobu town, Dongguan, Guangdong

Tel: +86 0769-83218762, 22498696, 23067981

Fax: +86 0769-22602343

Email: sales@sellifuse.com

Web: <https://www.selittel.com>

<http://www.sellifuse.com>



一， 产品用途 / Product Application

本系列保险丝用于各种中大功率电气线路的过载和短路保护，比如汽车空调，摩托车，电动车，叉车，船舶的电路保护。

本保险丝可以直接与母线连接省去一个保险丝底座，也可以将保险丝安装于固定好的保险丝底座上，这样方便拆卸换保险丝。改变接口尺寸和形状可以满足不同客户的特殊需要。

This series of fuses is designed for overload and short-circuit protection in medium- to high-power electrical circuits, such as those used in automotive air-conditioning systems, motorcycles, electric vehicles, forklifts, and marine applications.

The fuse can be connected directly to a busbar, eliminating the need for a fuse holder, or it can be installed in a fixed holder, allowing for easy replacement. The interface size and shape can be customized to meet specific customer requirements.



二， 产品特性 / Product Features

1. 适用额定电压直流至 70V， 额定电流至 200A， 材质使用塑胶和铜， 以及特殊耐压材料。当被保护电路发生异常或短路或过载严重时， 本保险丝将会及时熔断， 达到保护被保护电气电路的目的， 熔断后不可恢复， 需要更换新保险丝继续工作。

Applicable rated voltage is up to 70VDC, rated current up to 200A. The fuse is made with plastic, copper, and special high-voltage-resistant materials.

When the protected circuit experiences an abnormal condition, short circuit, or severe overload, the fuse will blow promptly to protect the circuit. After blowing, the fuse is non-resettable and must be replaced.

2. 熔断能力 Interrupting Rating: 1000A@70VDC
3. 额定电压 Voltage Rating: ≤ 70 VDC
4. 工作温度 Operating Temperature Range: -40°C to $+125^{\circ}\text{C}$
5. 壳体材料 Housing Material: PA
6. 熔断金属 Terminal: Tin-plated copper or bare copper
7. 安装扭力 Mounting Torque M5: $4.5 \text{ Nm} \pm 1 \text{ Nm}$
8. 安装扭力 Mounting Torque M6: $6.0 \text{ Nm} \pm 1 \text{ Nm}$
9. 壳体可选印电流和 Selittel® 标志

Housing can be marked with current rating and Selittel® logo



三，熔断特性 / Fuse Characteristics

测试电流 Test Current	Opening Time 30A~125A 熔断时间 30A-125A 规格		Opening Time 150A-200A 熔断时间 150A-200A 规格	
	Min.	Max.	Min.	Max.
100%	100 hrs.	---	---	---
110%	4 hrs.	---	---	---
150%	90 s	3,600 s	---	---
200%	3 s	100 s	1 s	15 s
300%	0.3 s	3 s	---	---
350%	---	---	0.3 s	5 s
500%	0.1 s	1 s	---	---

备注：根据使用条件的不同，以上特性也会相应的变化。

Remark: Characteristics of fuses according to use conditions may change.

四，产品适应标准 / Applicable Standards

GB/T 31465.5 / ISO 8820-5

UL 248 Special Purpose Fuses

五，产品规格对照表 / Current Rating Table

Assembly P/N	Case color	Current & Voltage Rating	Internal resistance (20°C)
ANS-S-CU-030	Black	30A70V	1.7
ANS-S-CU-040	Black	40A70V	1.25
ANS-S-CU-050	Black	50A70V	0.9



ANS-S-CU-060	Black	60A70V	0.6
ANS-S-CU-070	Black	70A70V	0.55
ANS-S-CU-080	Black	80A70V	0.5
ANS-S-CU-100	Black	100A70V	0.45
ANS-S-CU-125	Black	125A70V	0.35
ANS-S-CU-150	Black	150A70V	0.25
ANS-S-CU-175	Black	175A70V	0.22
ANS-S-CU-200	Black	200A70V	0.2

备注:

1. 测量时，当环境温度不是 20°C 时，应根据电阻的温度系数 (TCR) 进行转换。

When the ambient temperature during measurement is not 20°C, the resistance should be converted according to its Temperature Coefficient of Resistance (TCR).

2. 表格所示 R 值实际偏差允许 20%。

The actual resistance values listed in the table are allowed a tolerance of ±20%.

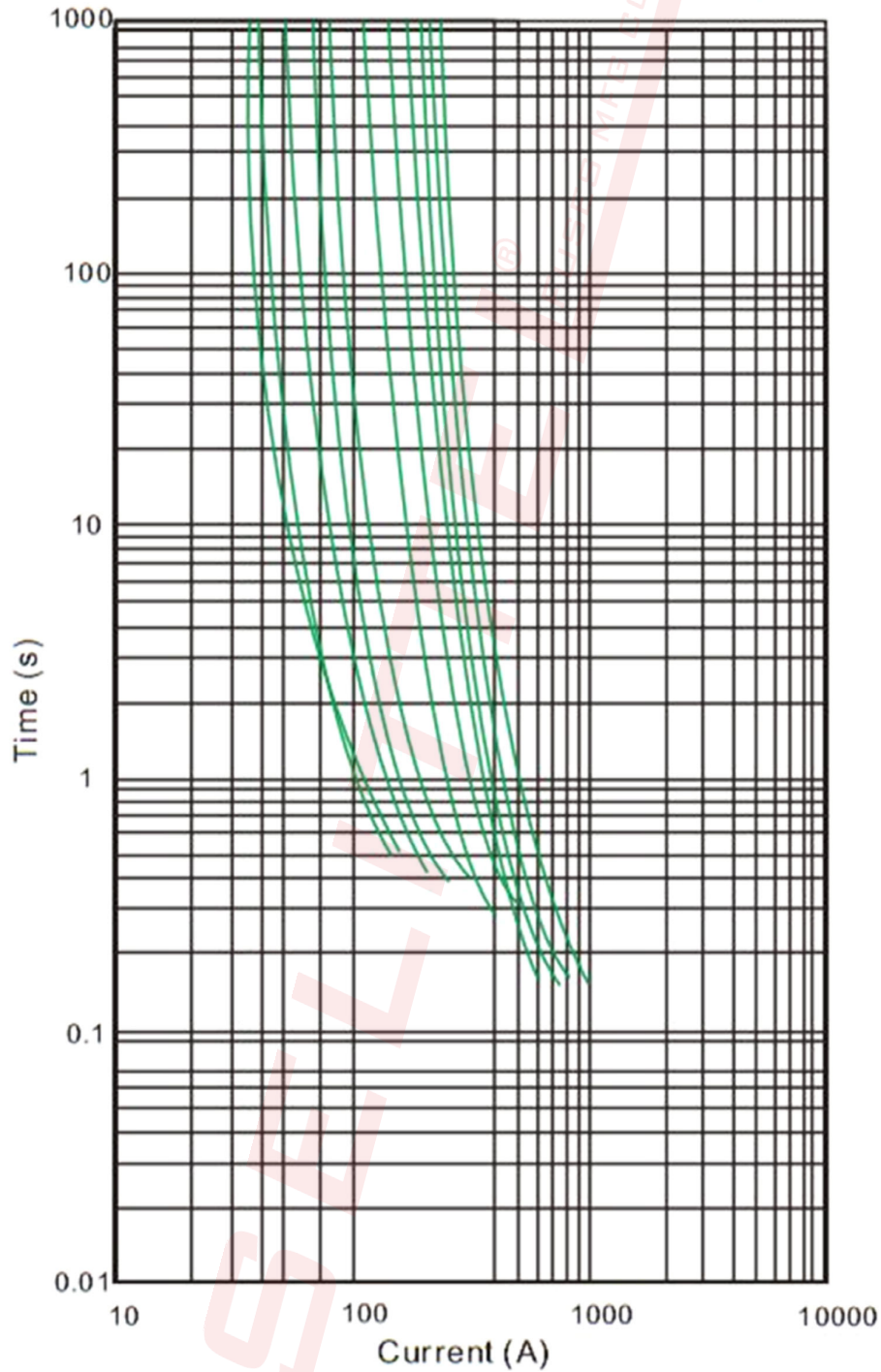
3. R 超过规定范围值偏差时，允许进行约定熔断试验，再判定是否合格。

If the resistance exceeds the specified range, a pre-agreed fusing test may be conducted to determine compliance.



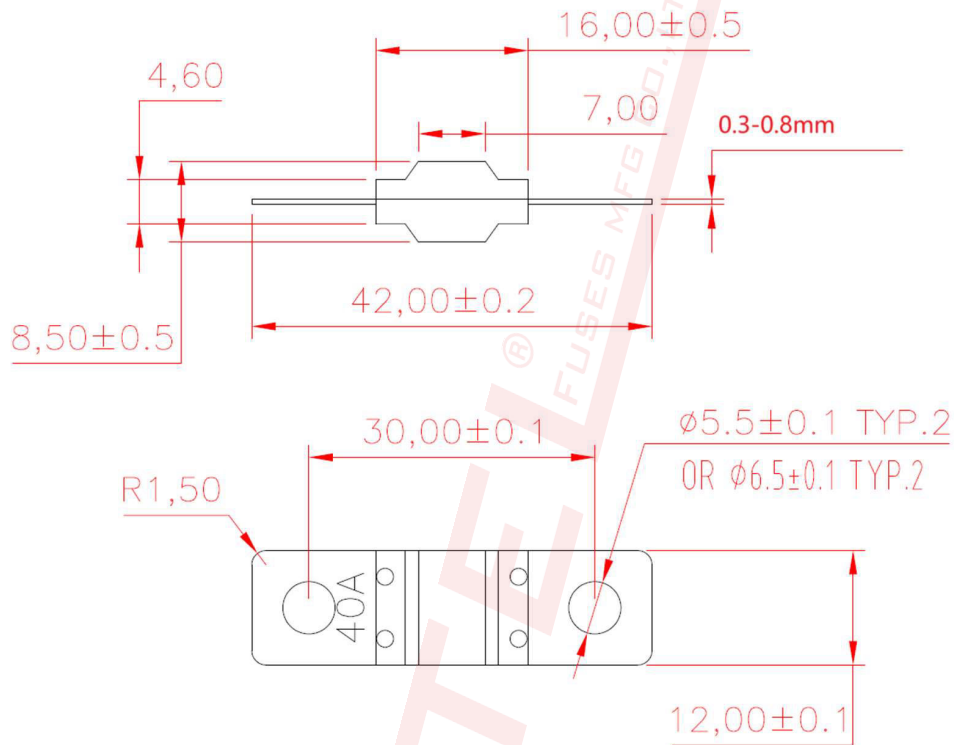
六， 电流时间特性曲线 / I-T Curve

时间-电流特性曲线
Time-Current Characteristic Curves





七，产品尺寸图 / Dimensional Drawing



八，包装 / Packing

100PCS/bag

500PCS/box

4000PCS/carton

100 个一袋

500 个一盒

4000 个一箱

